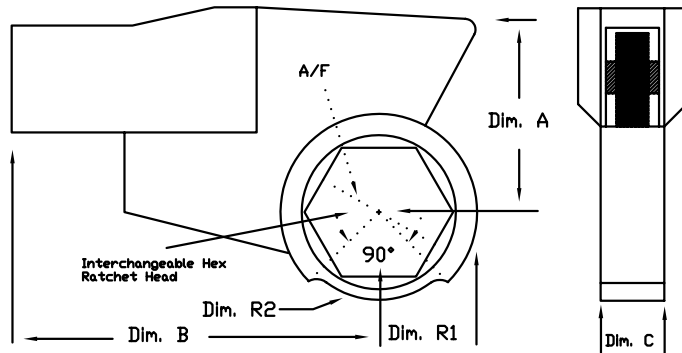


RBU Dimensions



Note: Dimensions R1 can be reduced based on application. Call Power Tork for details. Max. Torque may be reduced if R1 dim. is altered. Dimensions R2 reflects Max. radial cut allowed without reducing max. torque output of the tool. The R2 dim. may be reduced if necessary.

| RBU-2 | | | RBU-5 | | | RBU-10 | | | RBU-20 | | | RBU-30 | | | RBU-60 | | |
|--|------|------|--|------|------|--|------|------|--|------|------|---|------|------|---|------|------|
| 1,683 Ft. Lbs. *Weight 3.5 Lbs. | | | 4,821 Ft. Lbs. **Weight 6.8 Lbs. | | | 9,890 Ft. Lbs. **Weight 13.6 Lbs. | | | 19,420 Ft. Lbs. **Weight 24.8 Lbs. | | | 31,319 Ft. Lbs. **Weight 42 Lbs. | | | 60,000 Ft. Lbs. **Weight 83 Lbs. | | |
| Dim. A = 3.3" Dim. B = 4.7" Dim. C = 1 | | | Dim. A = 4.00" Dim. B = 6.55" Dim. C = 1.00" | | | Dim. A = 4.80" Dim. B = 6.80" Dim. C = 1.50" | | | Dim. A = 6.20" Dim. B = 9.40" Dim. C = 2.00" | | | Dim. A = 6.50" Dim. B = 10.20" Dim. C = 2.50" | | | Dim. A = 8.30" Dim. B = 14.36" Dim. C = 3.00" | | |
| A/F | R1 | R2 | A/F | R1 | R2 | A/F | R1 | R2 | A/F | R1 | R2 | A/F | R1 | R2 | A/F | R1 | R2 |
| 1 1/4" | 1.37 | 1.00 | 1 1/4" | 1.37 | 1.00 | 2 3/16" | 1.90 | 1.60 | 2 9/16" | 2.13 | 1.80 | *2 3/4" | 2.32 | 2.20 | *3 1/2" | 2.70 | 2.50 |
| 1 7/16" | 1.45 | 1.10 | 1 7/16" | 1.45 | 1.10 | 2 3/8" | 1.90 | 1.70 | 2 3/4" | 2.32 | 2.20 | *2 15/16" | 2.48 | 2.20 | *3 11/16" | 2.83 | 2.75 |
| 1 5/8" | 1.53 | 1.30 | 1 5/8" | 1.53 | 1.30 | 2 9/16" | 2.13 | 1.80 | 2 15/16" | 2.48 | 2.20 | 3 1/8" | 2.56 | 2.30 | 3 7/8" | 2.90 | 2.90 |
| 1 13/16" | 1.65 | 1.37 | 1 13/16" | 1.65 | 1.37 | 2 3/4" | 2.32 | 2.20 | 3 1/8" | 2.56 | 2.30 | 3 5/16" | 2.67 | 2.40 | 4 1/4" | 3.10 | 2.90 |
| 2" | 1.77 | 1.50 | 2" | 1.77 | 1.50 | 2 15/16" | 2.48 | 2.20 | 3 5/16" | 2.67 | 2.40 | 3 1/2" | 2.76 | 2.50 | 4 5/8" | 3.30 | 3.00 |
| 1 3/16" | 1.90 | 1.60 | 2 3/16" | 1.90 | 1.60 | 3 1/8" | 2.56 | 2.30 | 3 1/2" | 2.76 | 2.50 | 3 11/16" | 2.83 | 2.80 | 5" | 3.30 | 3.10 |
| 1 3/8" | 1.90 | 1.70 | 2 3/8" | 1.90 | 1.70 | 3 5/16" | 2.67 | 2.40 | 3 11/16" | 2.80 | 2.80 | 3 7/8" | 2.90 | 2.90 | 5 3/8" | 3.50 | 3.30 |
| | | | 2 9/16" | 2.13 | 1.80 | 3 1/2" | 2.76 | 2.50 | 3 7/8" | 2.90 | 2.90 | 4 1/4" | 3.10 | 2.90 | 5 3/4" | 3.75 | 3.50 |
| | | | 2 3/4" | 2.32 | 2.20 | | | | 4 1/4" | 3.10 | 2.9 | 4 5/8" | 3.30 | 3.75 | 6 1/8" | 4.00 | 3.70 |
| | | | 2 15/16" | 2.48 | 2.20 | | | | 4 5/8" | 3.30 | 3.00 | 5" | 3.30 | 3.10 | | | |
| | | | 3 1/8" | 2.5 | 2.30 | | | | | | | | | | | | |
| | | | | | | | | | | | | | | | | | |
| | | | | | | | | | | | | | | | | | |

* Available on Special Order only.
** Weights will vary with Ratchet Head Size.

U. S. Patent Numbers: 4,669,338 - 4,744,271
& Licensed 5,097,730
Safe Torque Patent No. 6,289,770

Power Tork Hydraulics, Inc.

825 Holiday Ct. - Kenner, La. 70065
Phone 504-467-8292 - Fax. 504-469-2889